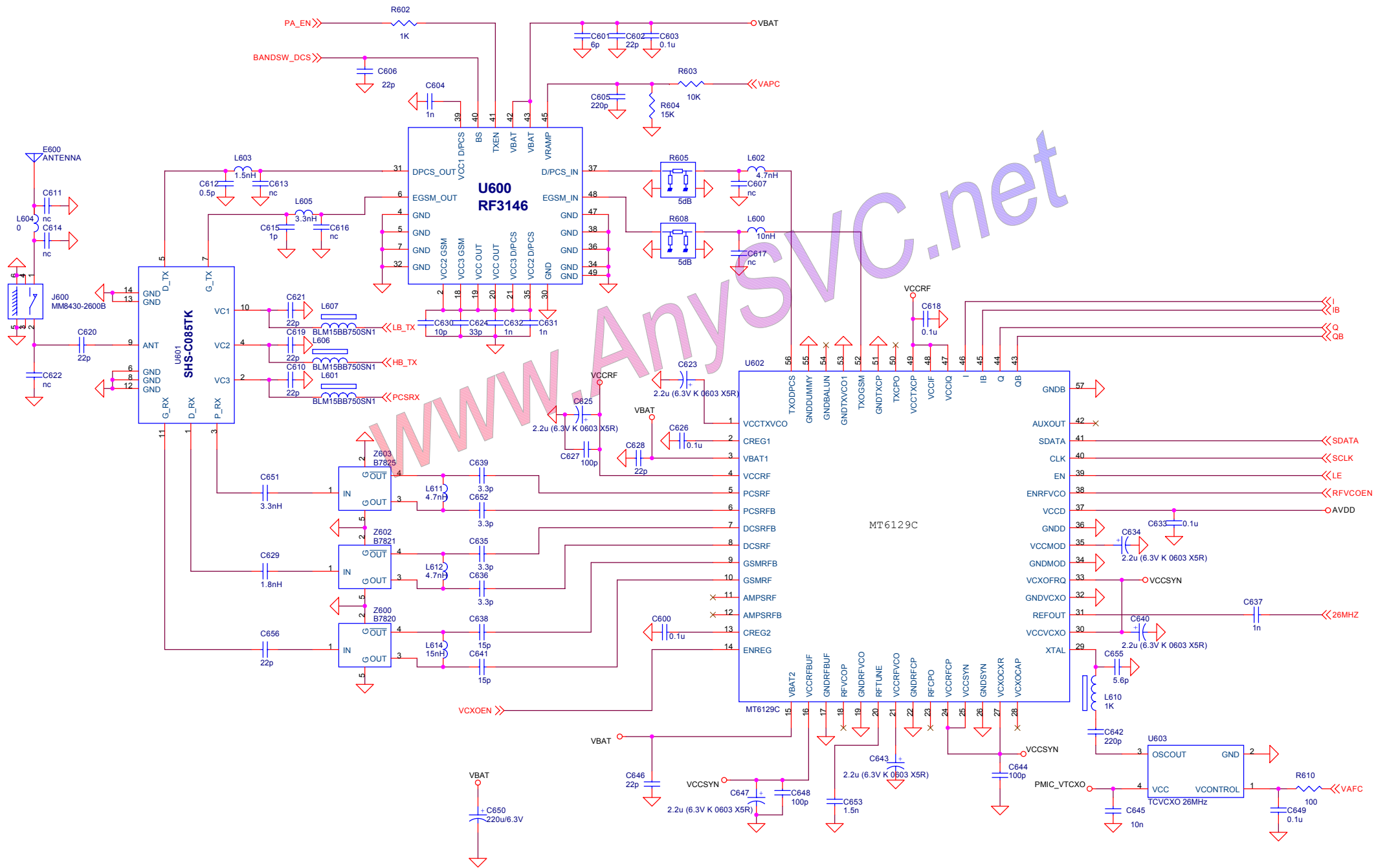
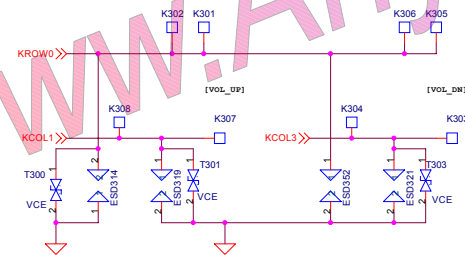
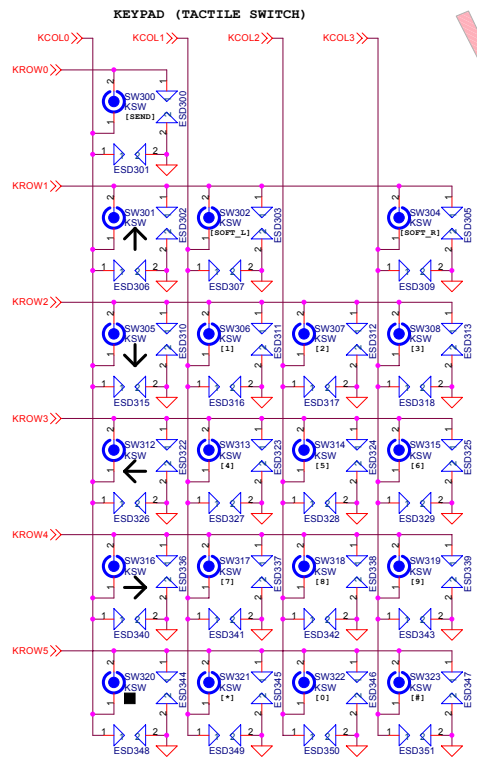
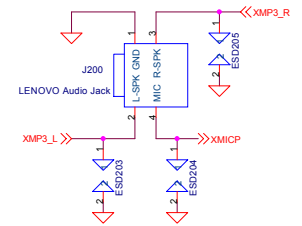
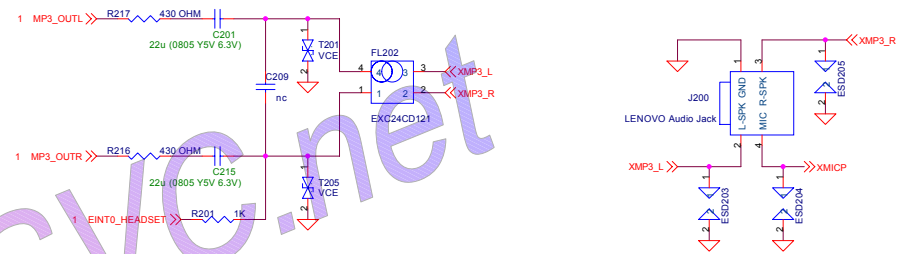
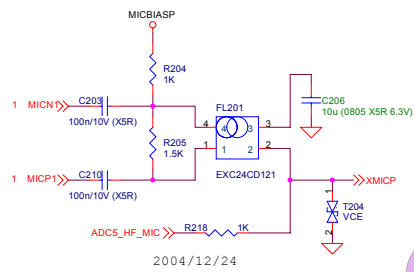
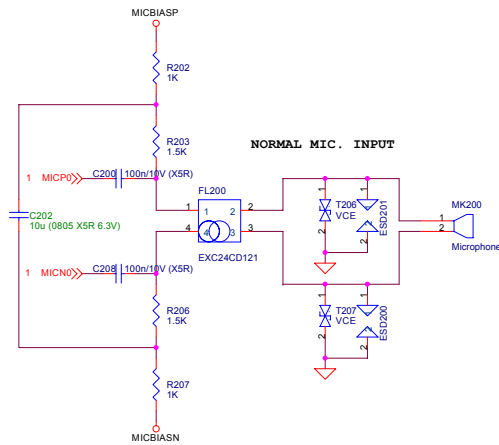


<http://manual.kmpic.net/> QQ: 35070846 ICQ:343183001 MSN: anysvc@hotmail.com

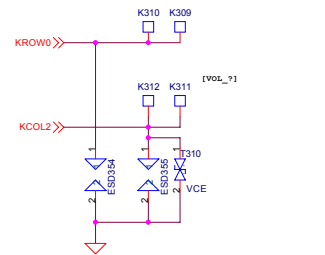
Title		<b>MT6219-GOLD</b>	
Size	A3	Document Number	MT6219
Date:	Thursday, March 17, 2005	Sheet	1 of 5



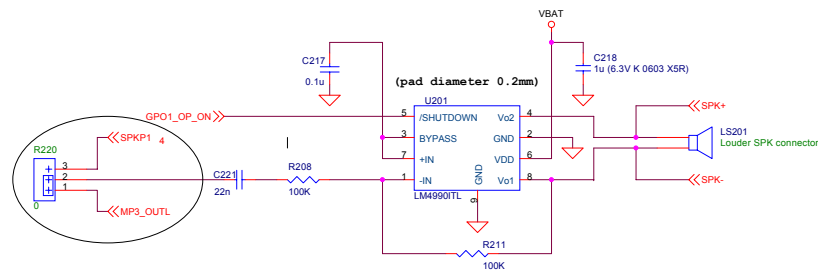
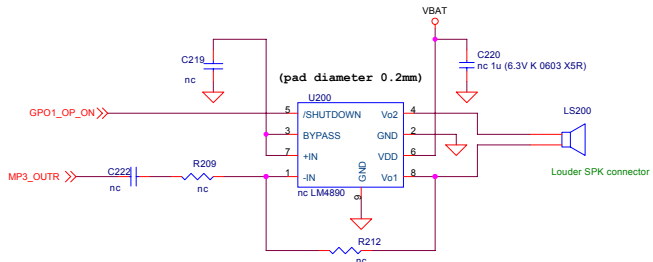
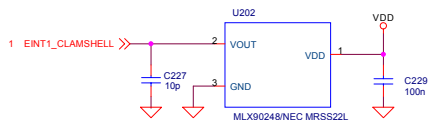
Title		
<b>Platinum</b>		
Size	Document Number	Rev
A3	<b>MT6129C RF + RFMD3146 PA + M090C SW</b>	1.00
Date:	Thursday, March 17, 2005	Sheet 1 of 6



According Side key components to modify schematic

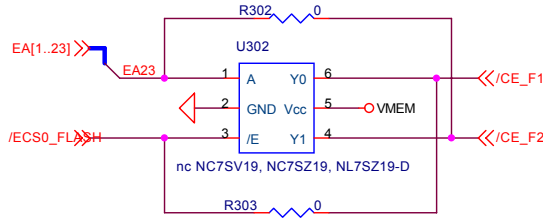
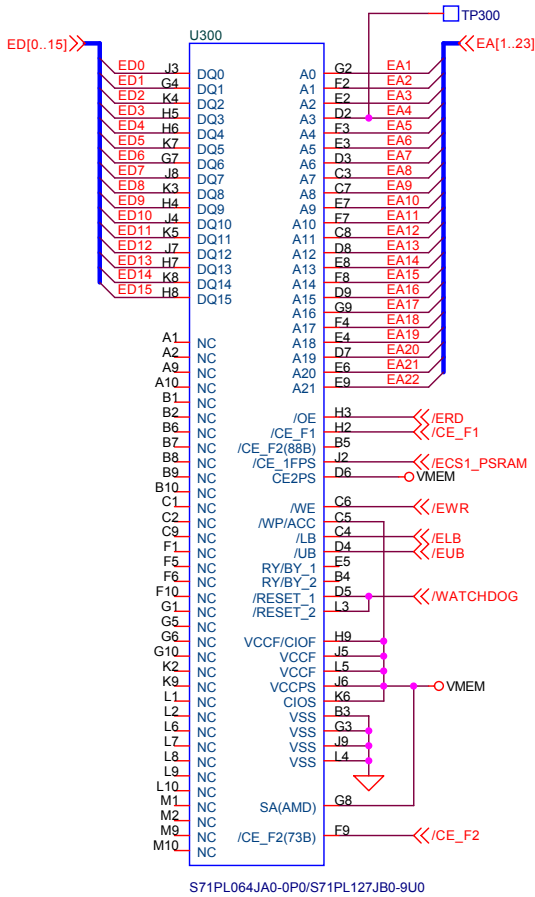


clam shell OPEN (EINT1 "H")  
clam shell CLOSE (EINT1 "L")

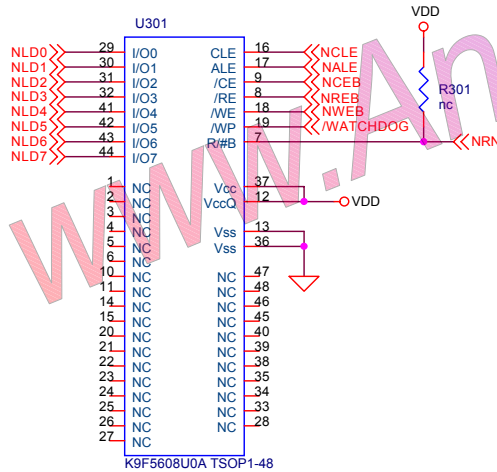


Title		
<b>MT6219-GOLD</b>		
Size	Document Number	Rev
A3	Audio, Keypad	
Date:	Thursday, March 17, 2005	Sheet 2 of 5

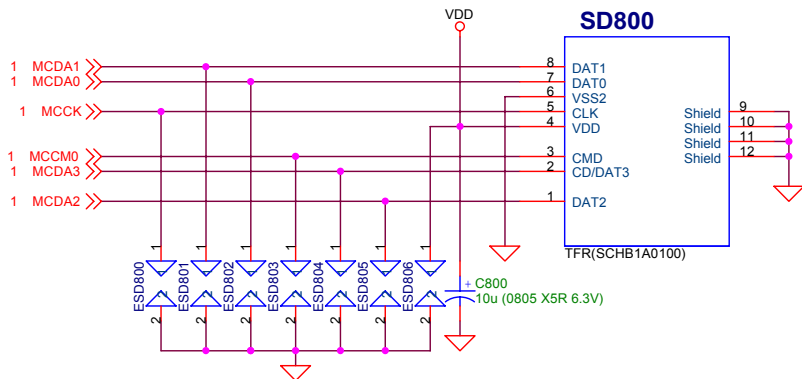
AMD 128Mb Flash + 64Mb (P)SRAM



SAMSUNG 32MB NAND FLASH

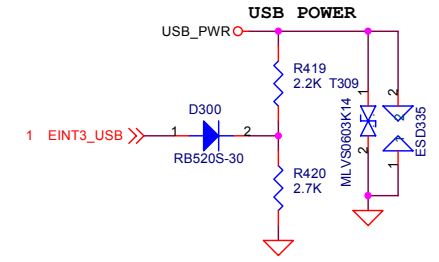
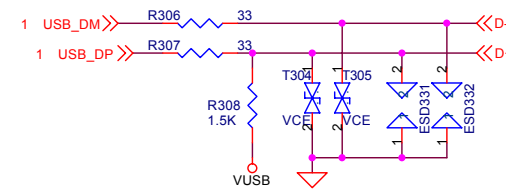
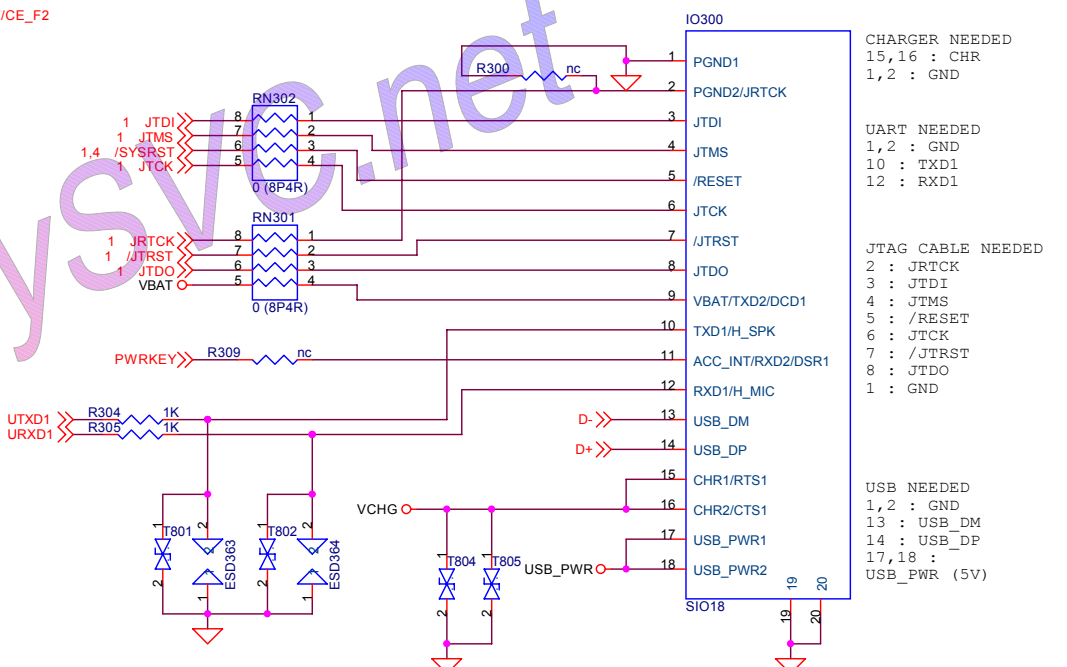


SAMSUNG NAND FLASH TSOP1 48 Pin (20x12mm)

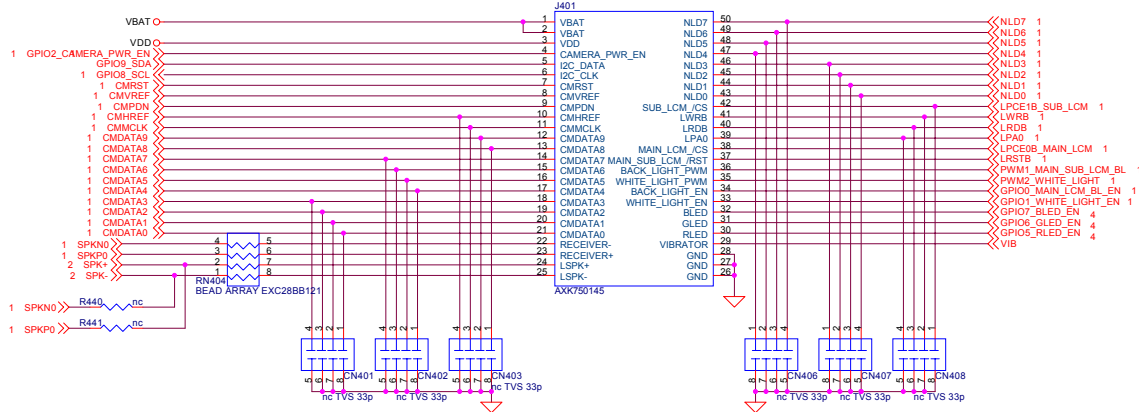
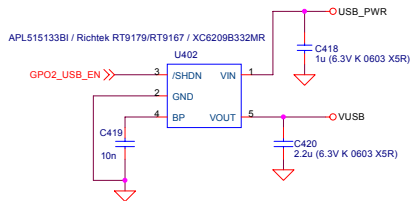
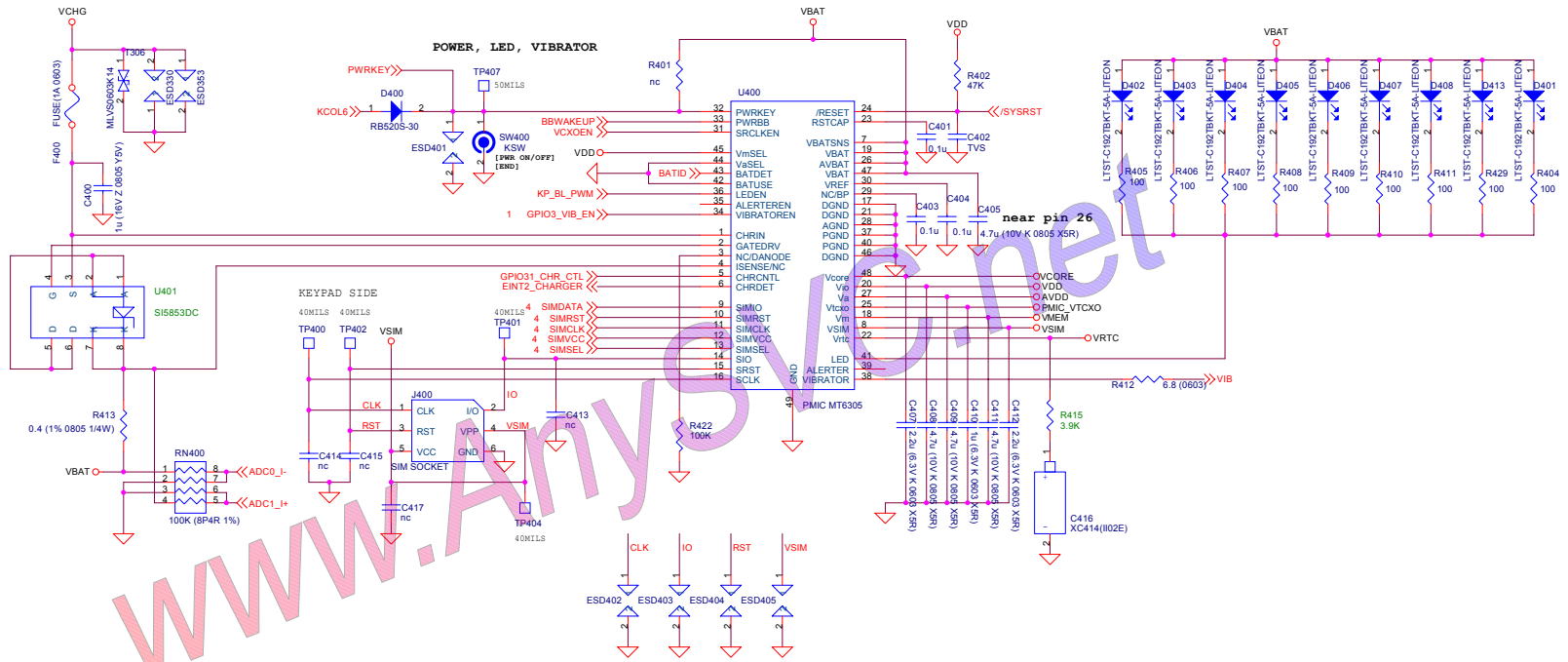
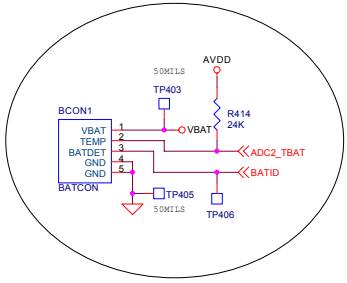


PILOT RUN STATE:  
R300=NC / RN301=RN302=0 (8P4R)

MP STATE:  
R300=0 / RN301=RN302=NC



Title		
<b>MT6219-GOLD</b>		
Size	Document Number	Rev
A4	MCM,SD/MMC,IO connector	
Date:	Thursday, March 17, 2005	Sheet 3 of 5



Title		
<b>MT6219-GOLD</b>		
Size	Document Number	Rev
A3	Power, B2B FPC	
Date:	Thursday, March 17, 2005	Sheet 4 of 5