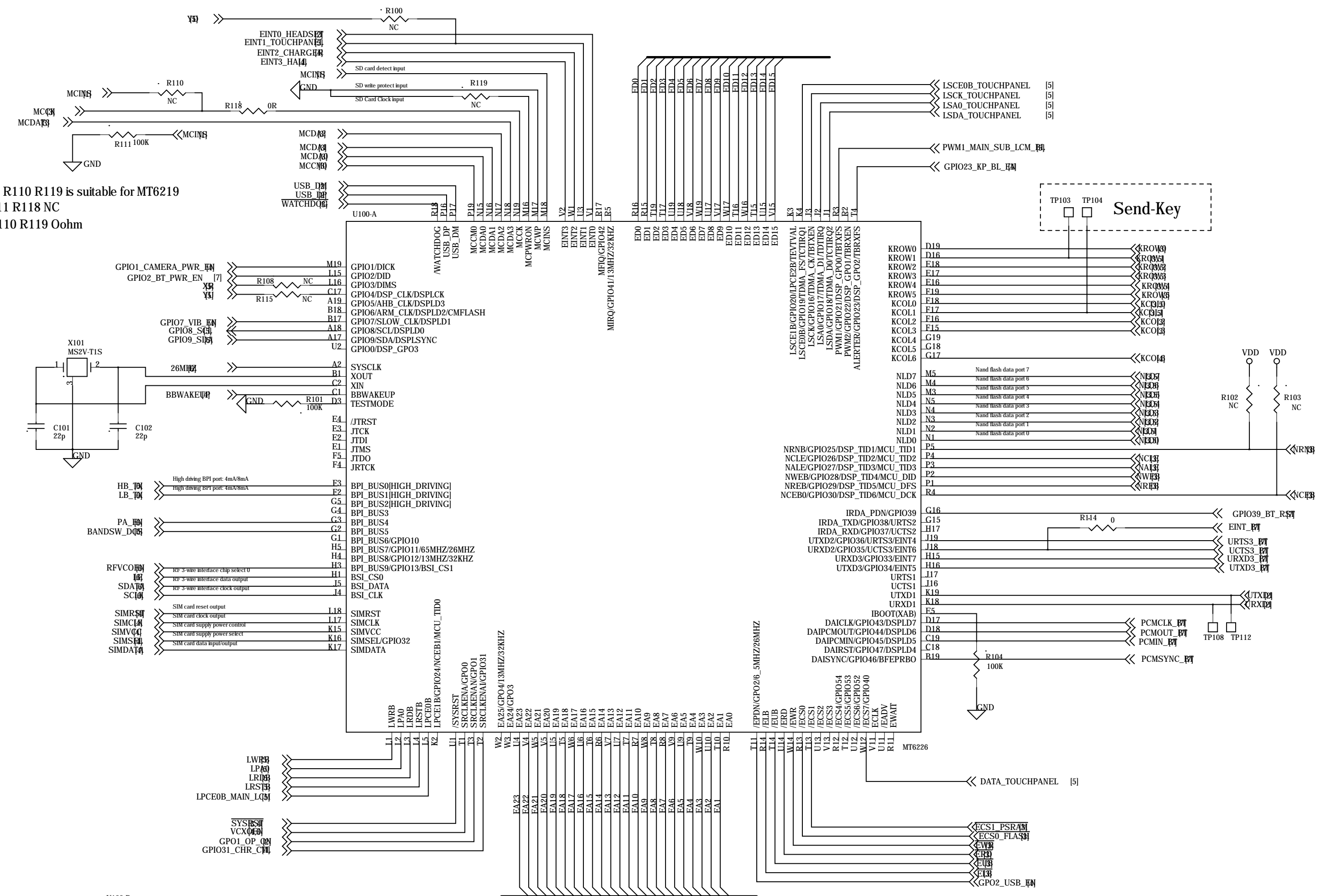
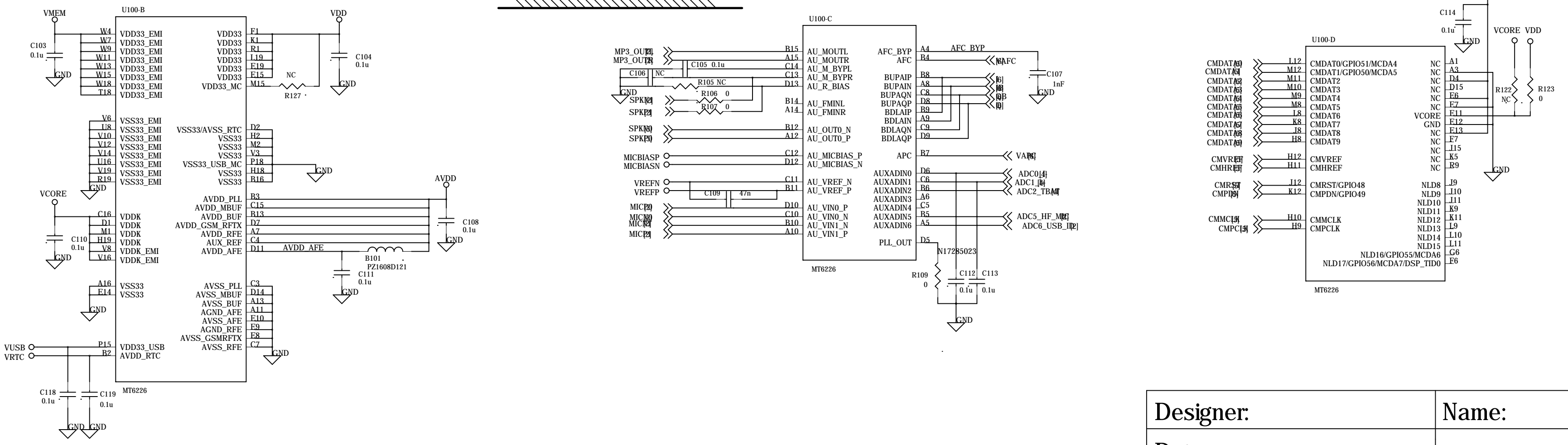
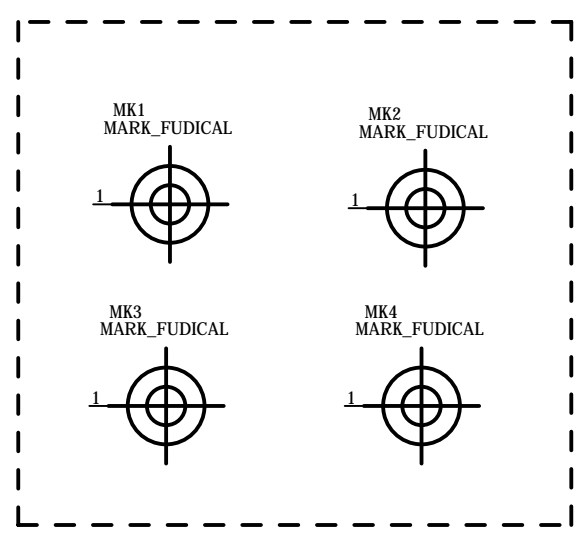


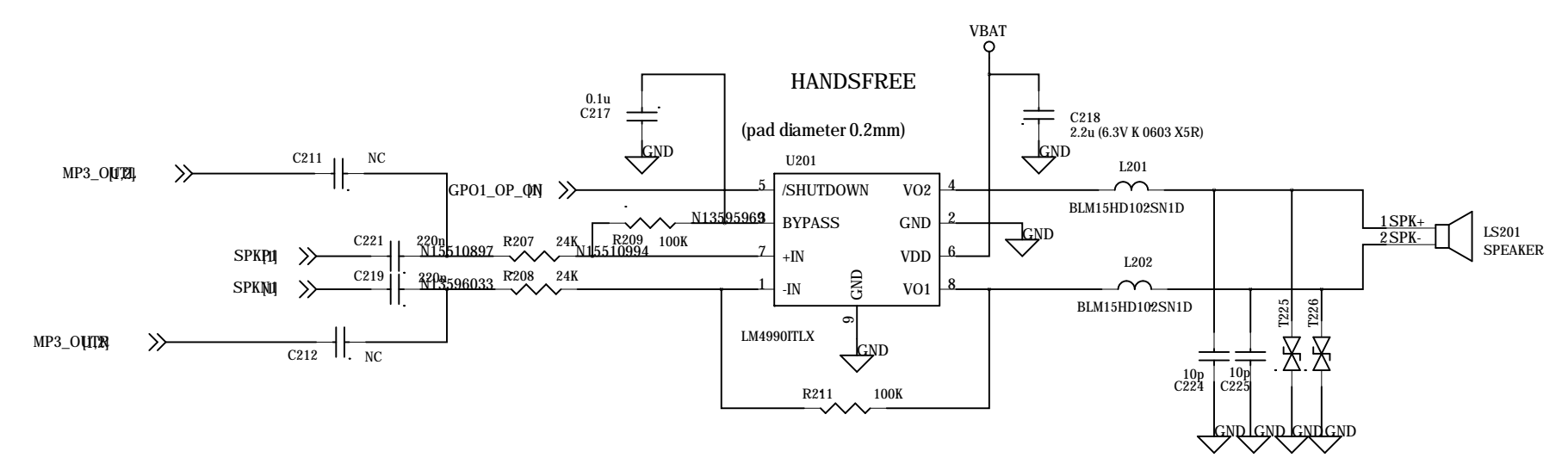
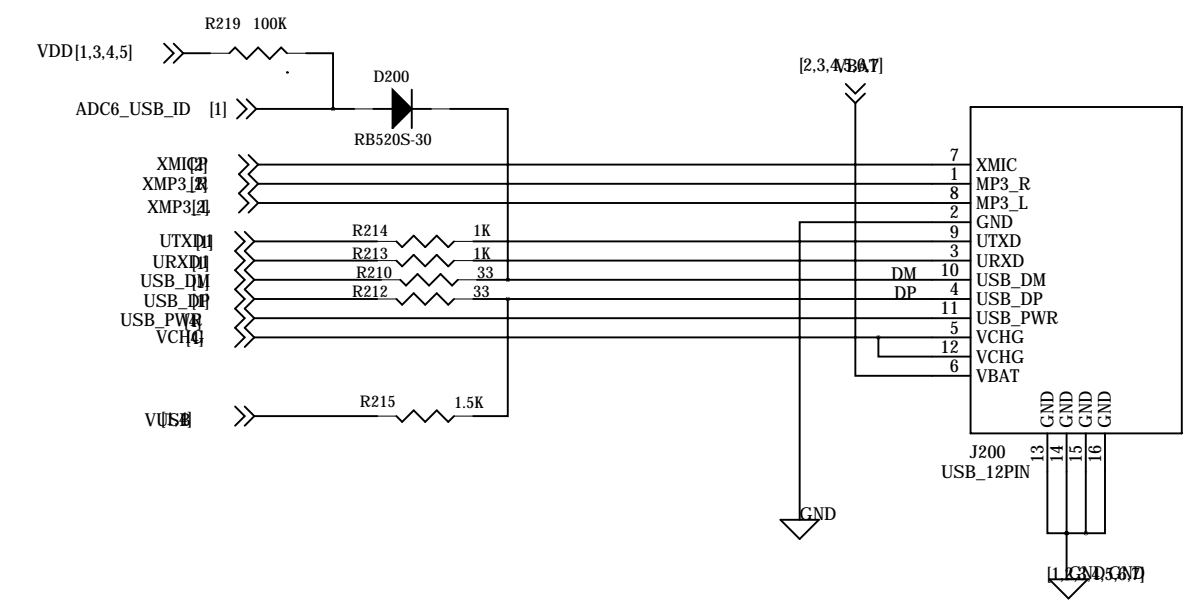
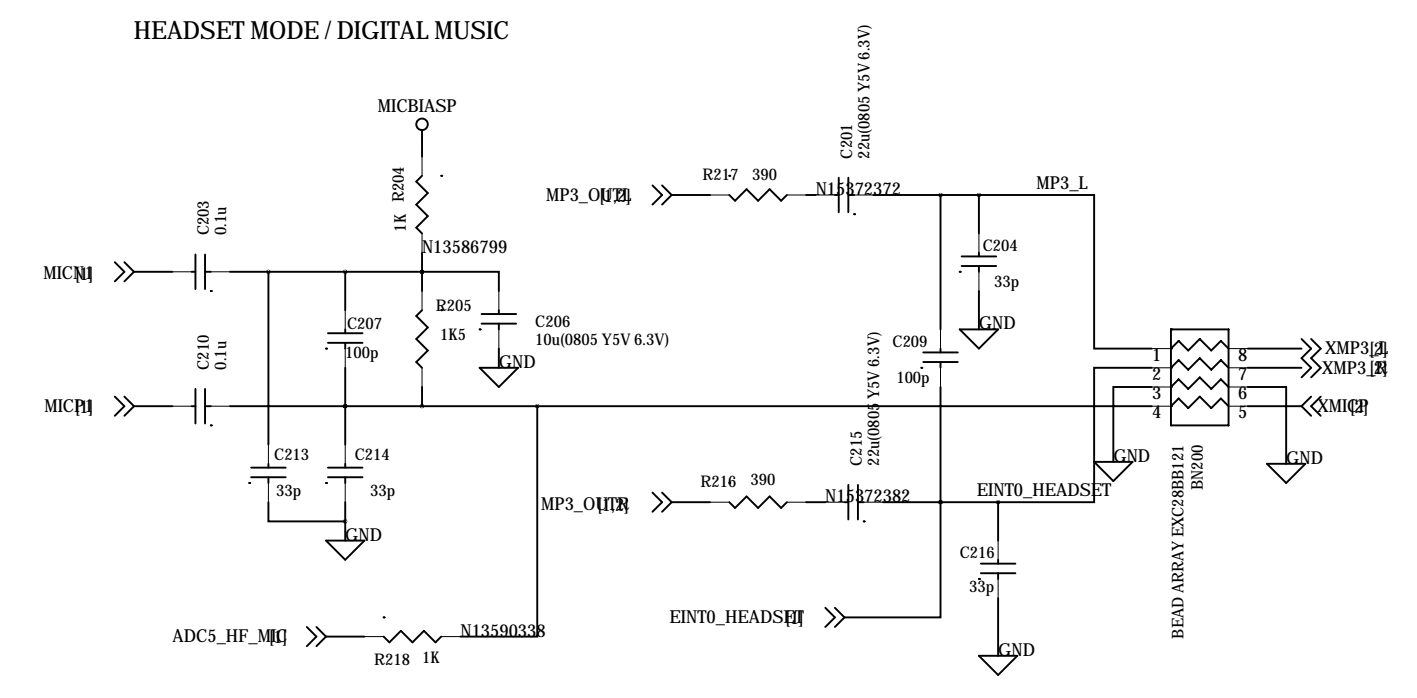
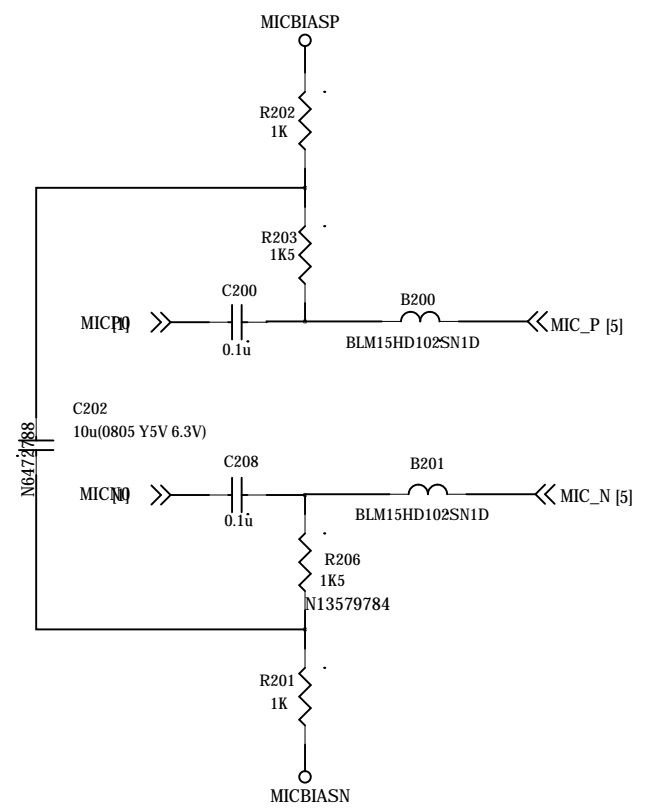
The value of R111 R118 R110 R119 is suitable for MT6219  
 Case MT6226 Please keep R111 R118 NC  
 Case MT6226 Please keep R110 R119 0ohm



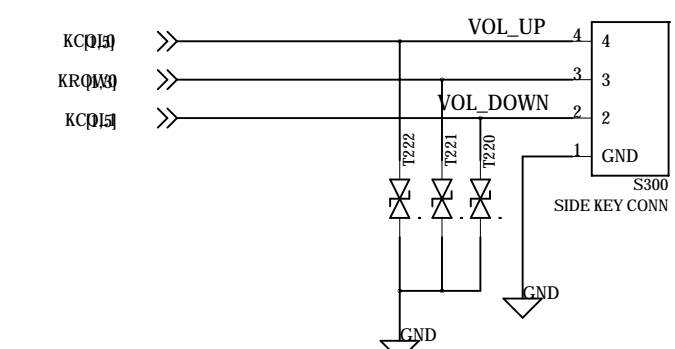
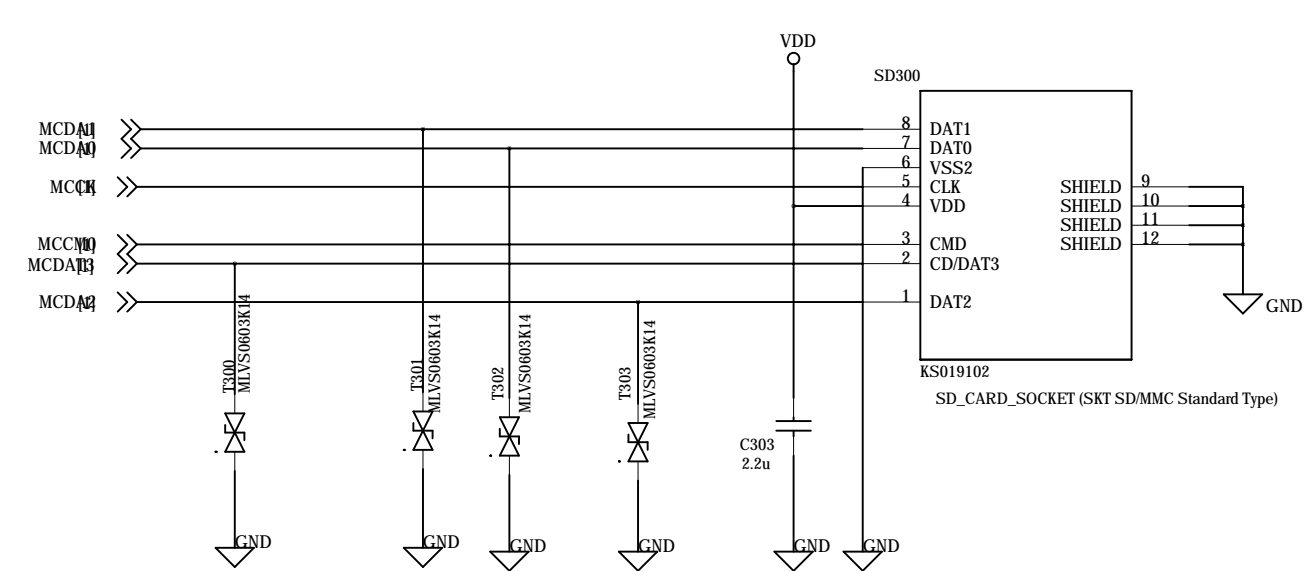
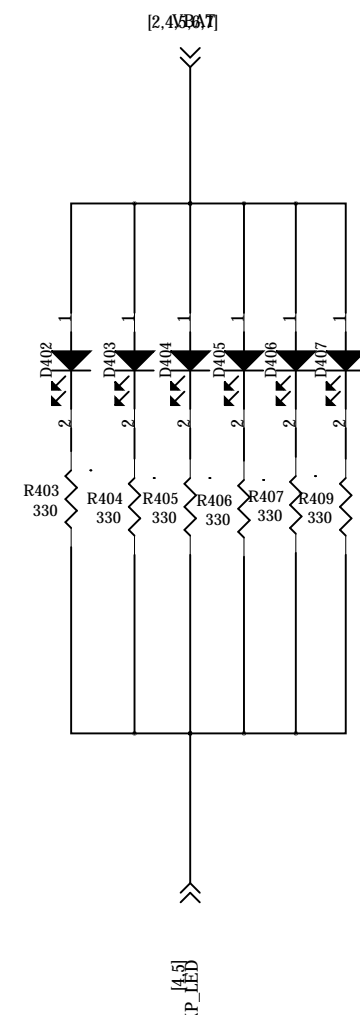
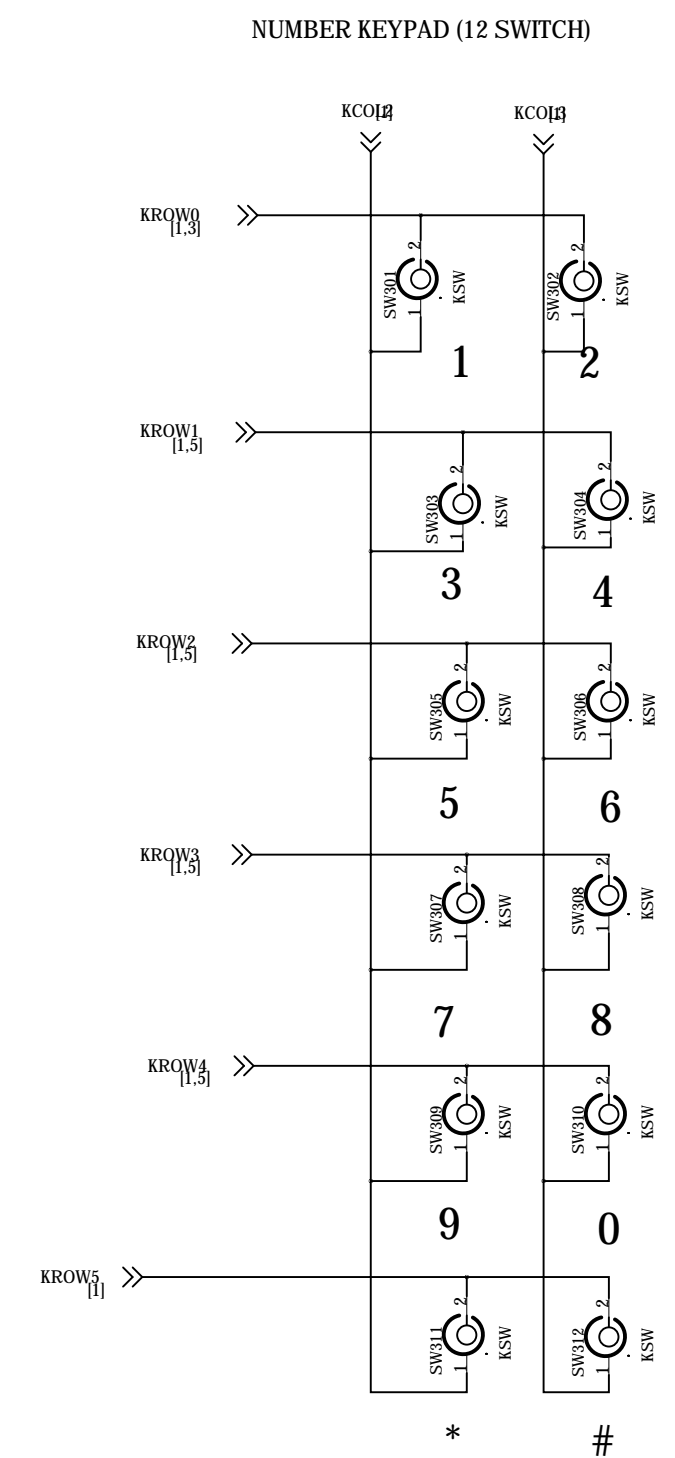
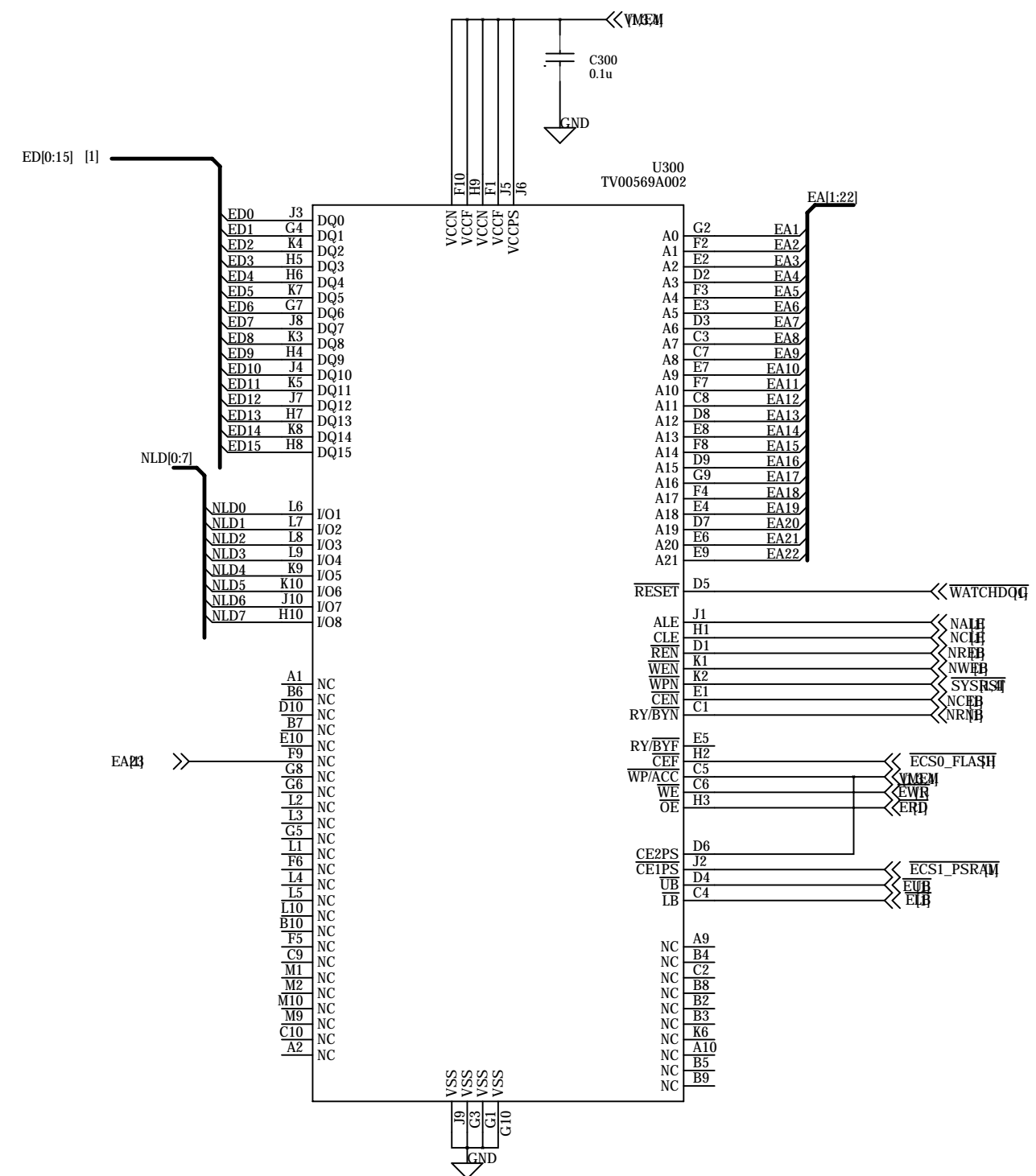
Item	6219	6226
R122 R127	NC	0
R109 R123	0	NC



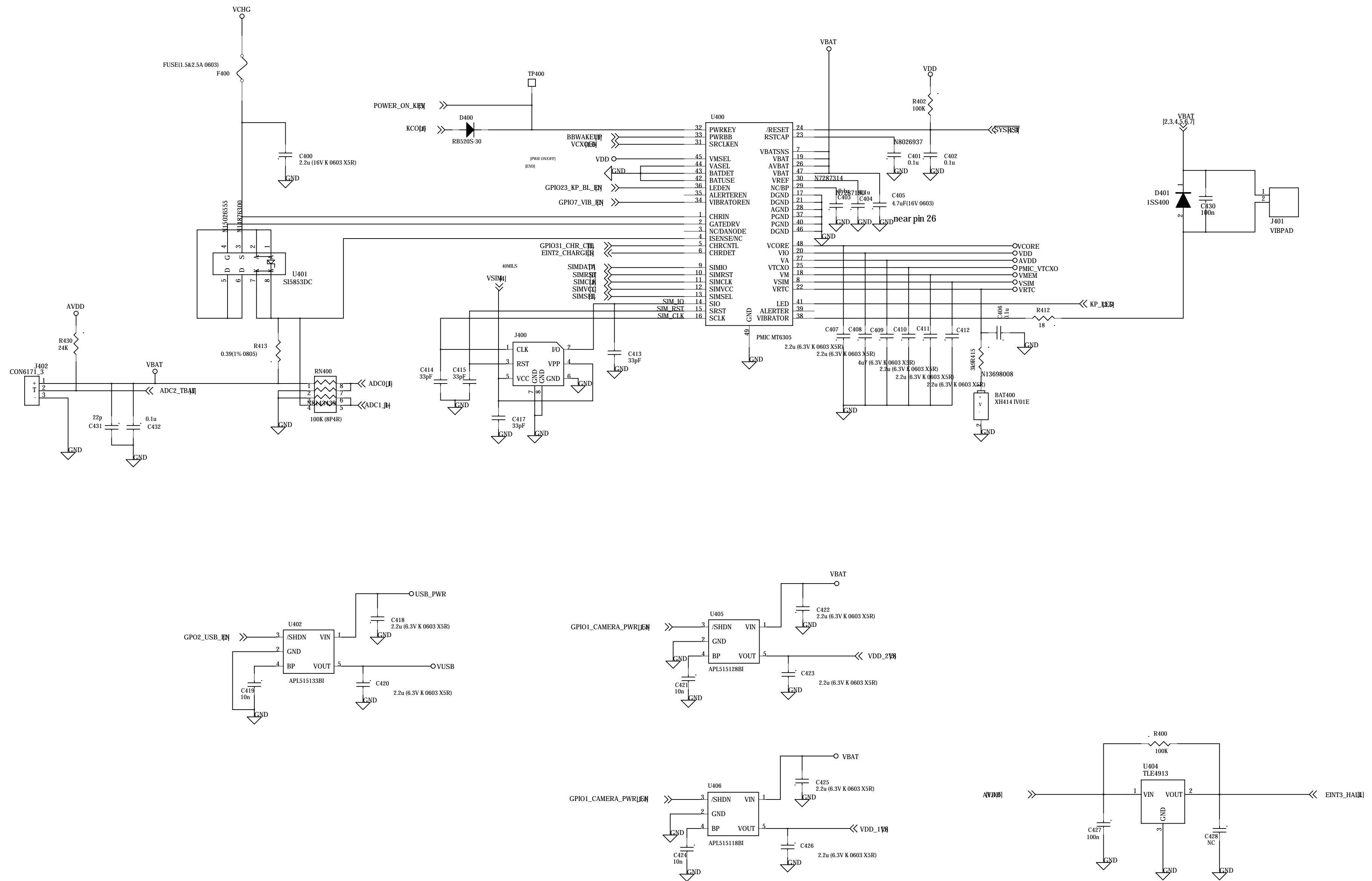
Designer:	Name:
Date:	Version:



Designer:	Name:
Date:	Version:

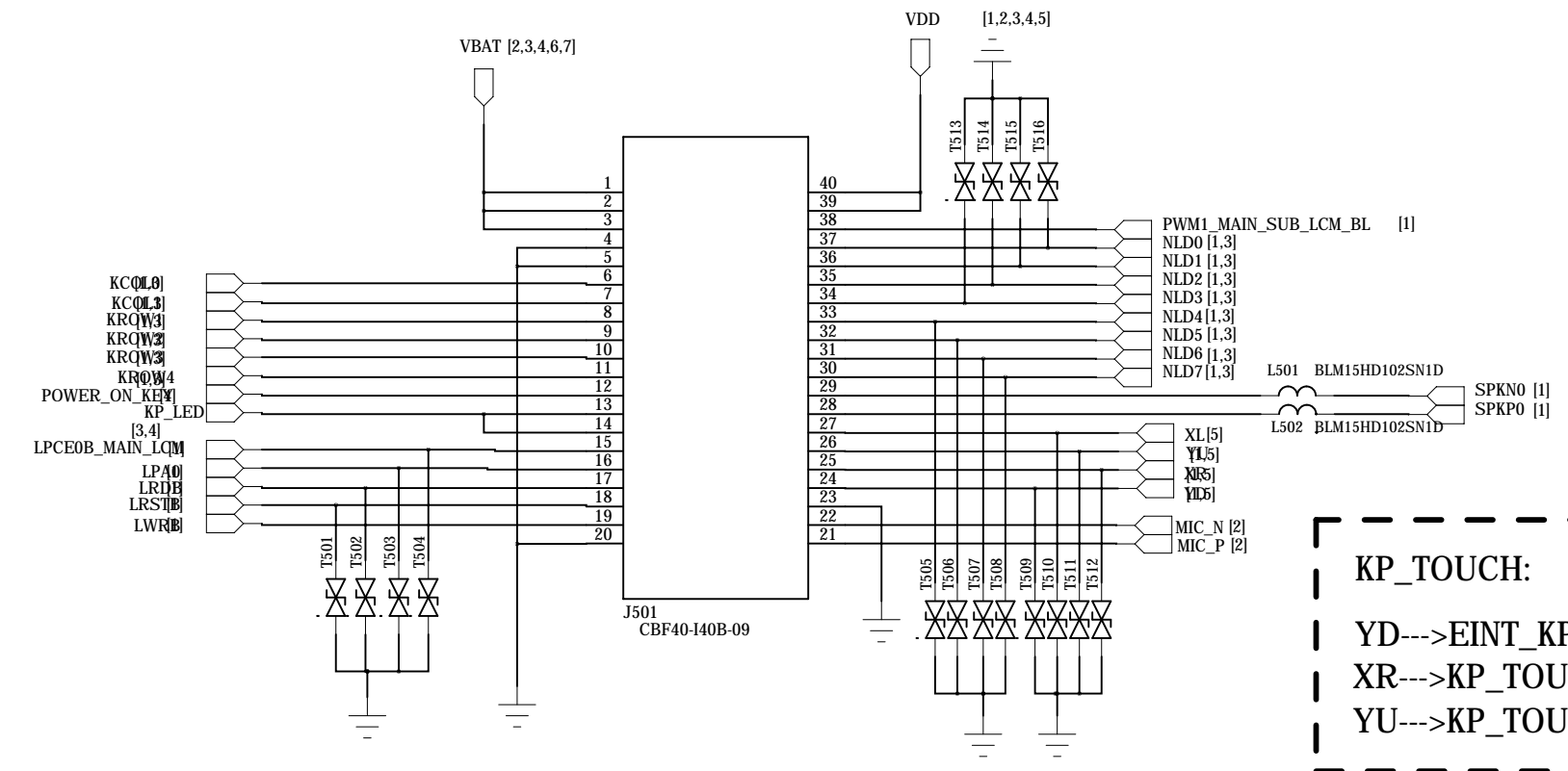
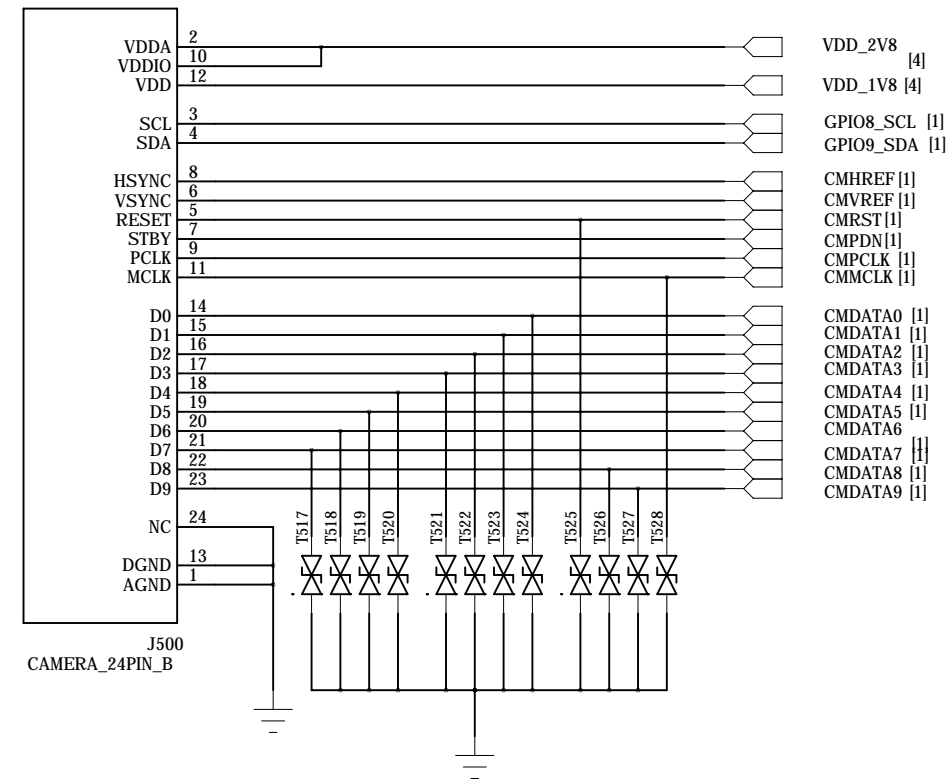


Designer:	Name:
Date:	Version:



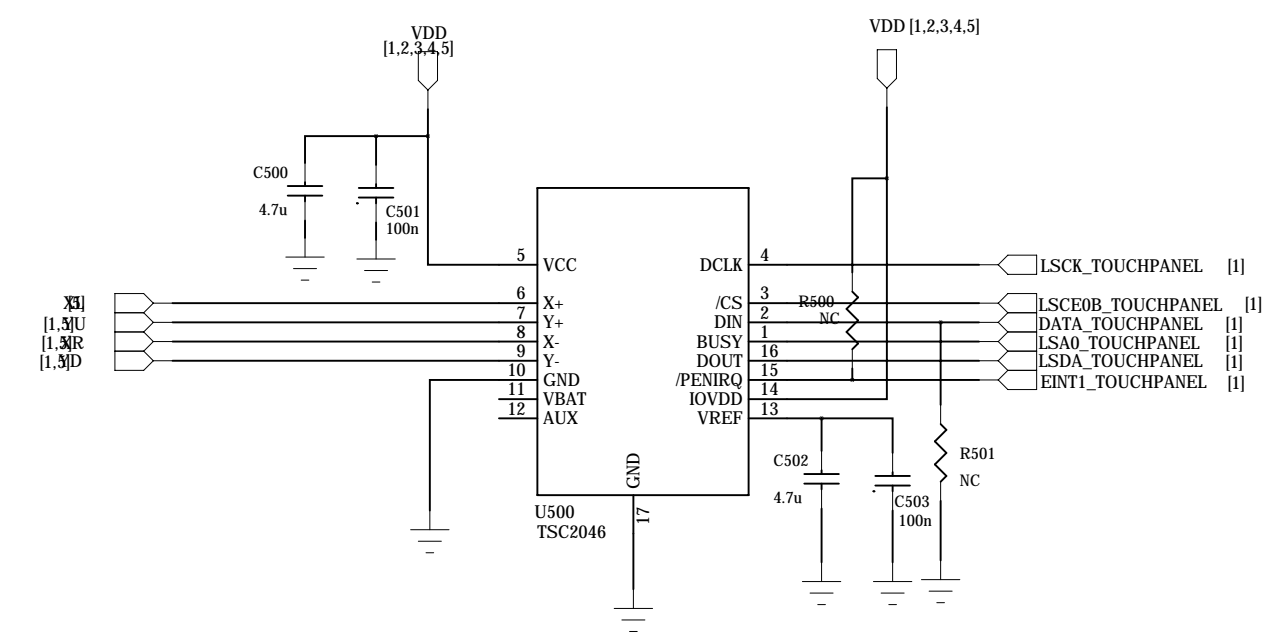
Designer:	Name:
Date:	Version:

### Camera 24Pin Interface

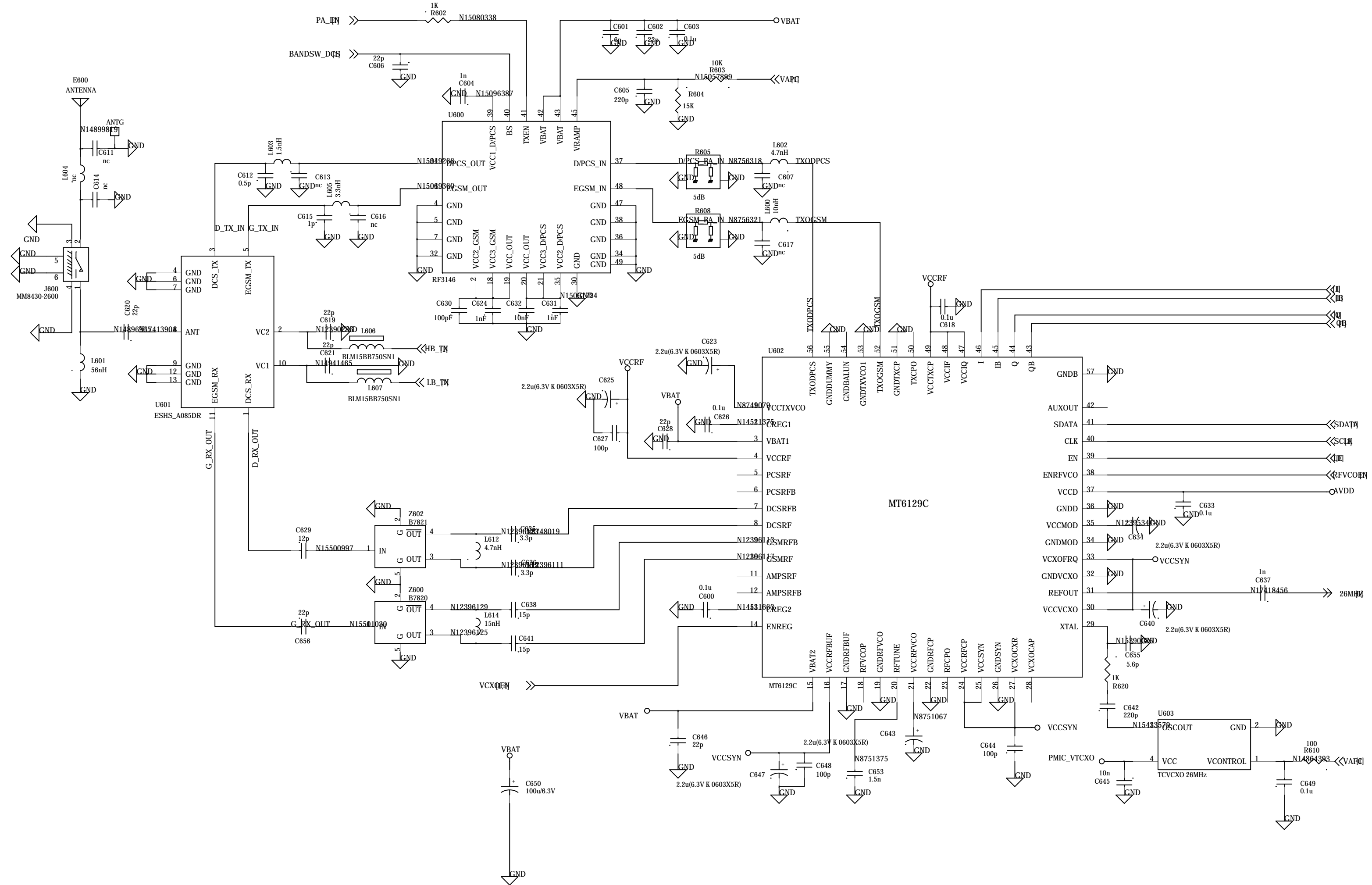


**KP\_TOUCH:**  
 YD--->EINT\_KP\_TOUCH  
 XR--->KP\_TOUCH\_DATA  
 YU--->KP\_TOUCH\_RESET

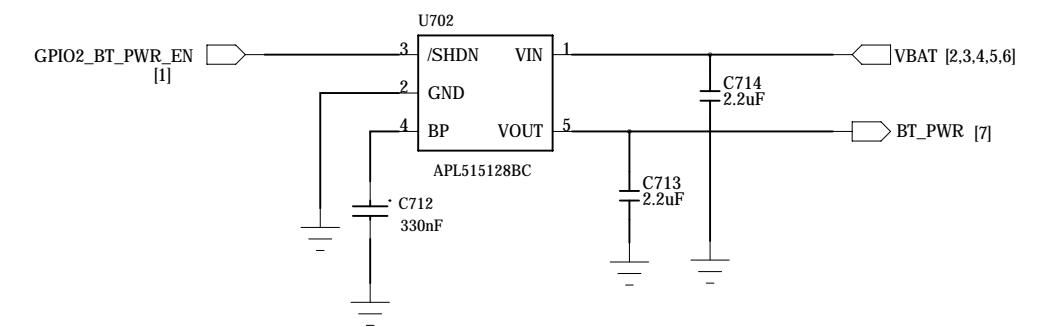
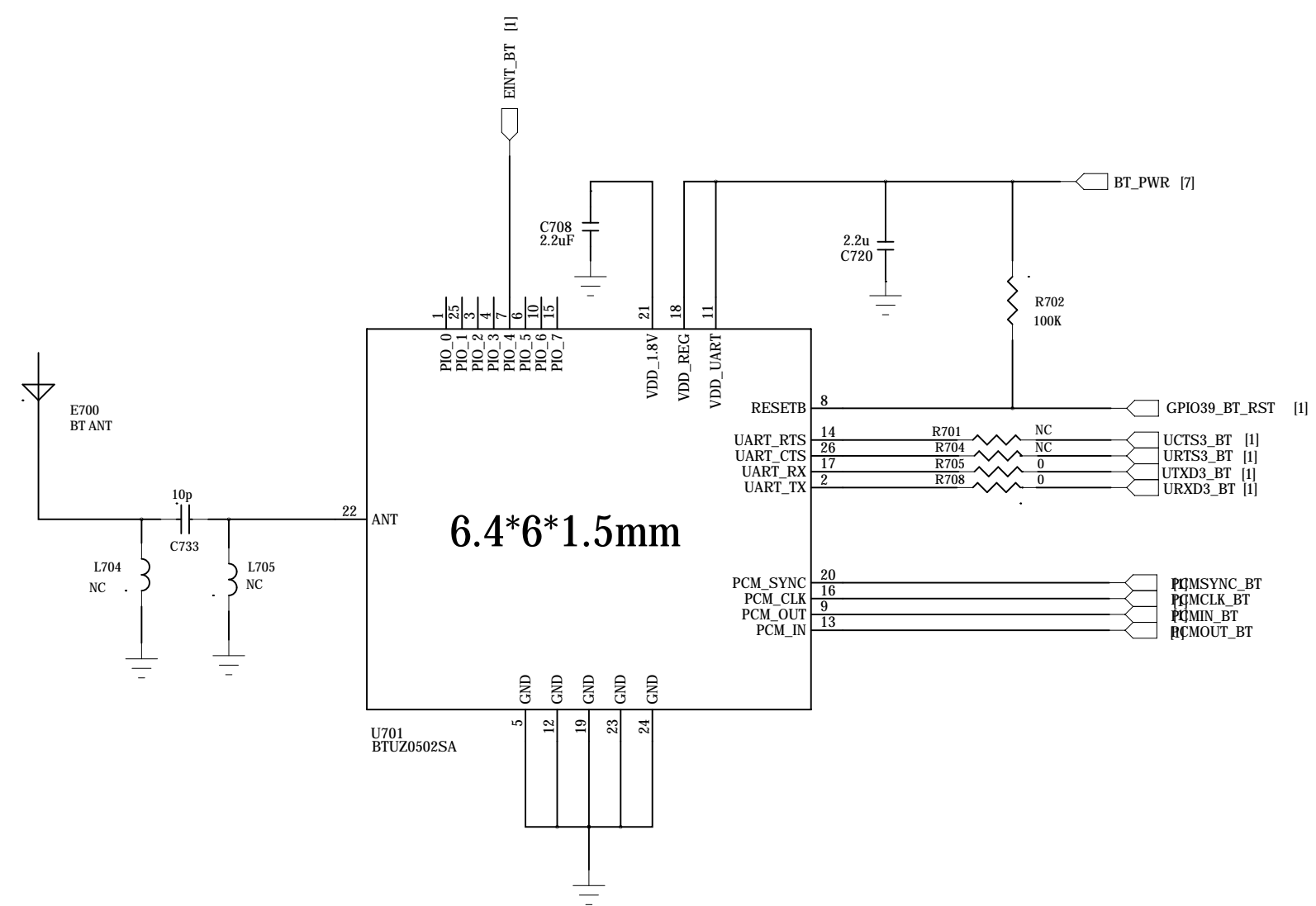
### ONLY FOR 2.0" TOUCH LCD PROJECT



Designer:	Name:
Date:	Version:



Designer:	Name:
Date:	Version:



Designer:	Name:
Date:	Version: