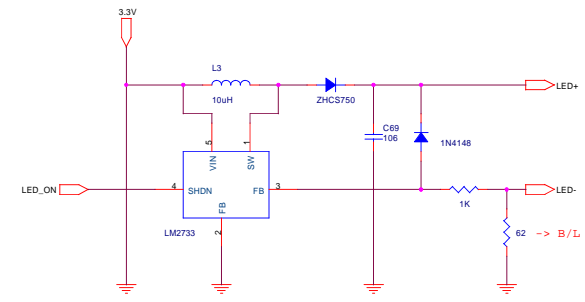
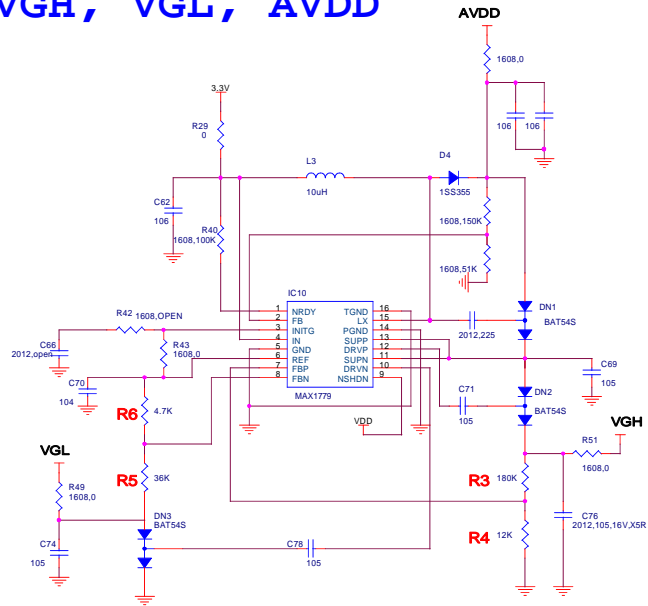
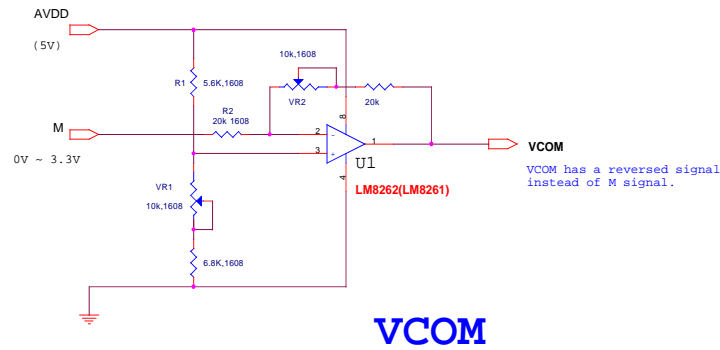


# VGH, VGL, AVDD



# LED CONTROLLER



# VCOM

Title	<Title>	Rev	<Rev Code>
Size	Document Number		
C	<Doc>		
Date	Wednesday, March 16, 2005	Sheet	1 of 1